

sketchbook2

Startup guide

--INDEX--

Introduction & Safety information	2
Contents in MarKinBOX	8
Names of each part	9
Start button on marking head	10
LED lamp	10
Procedure up to installation	10
If USB connection isn't possible	13
If connecting by WIFI, RS232C or LAN	14
How to check the software version	14
Uninstalling the software	15
Maintenance and inspection	15
Concerning overseas use of products purchased in Japan	15
Appendix 1 : Distance between the stylus pin and the workpiece	17
Appendix 2 : Spare parts list	18
Appendix 3 : Description of the icons in the download site	19
Warranty	20
Inquire about items inquiry	20



We would like to thank you for making a MarKinBOX marking machine your choice for meeting your marking and traceability needs. To help you use your MarKinBOX, this manual contains detailed information. Please read these instructions carefully and keep this document for future reference.

TOKYO CHOKOKU MARKING PRODUCTS CO.,LTD.

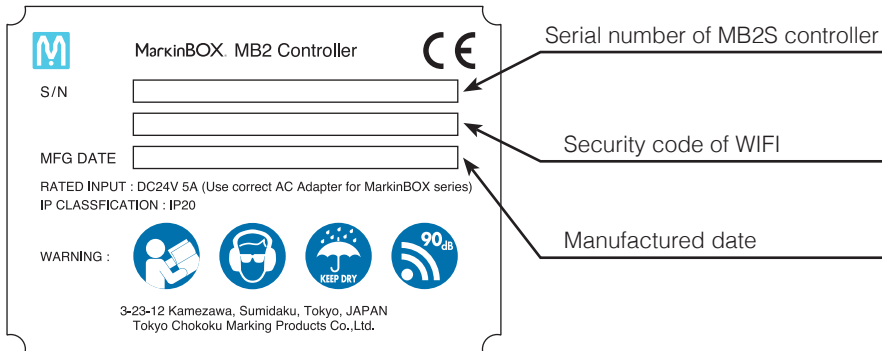
This is a translation of the original instruction and the original instruction is in Japanese

Introduction & Safety information

System requirements

Computer OS	Higher than Windows 7
Computer Memory	Higher than 1GB
Monitor Resolution	Higher than 1280×768
Power supply	AC100V ~ 240V 50/60Hz
Electricity Consumption	120W

Copy of the marking plate



<p>WARNING Hot surface</p>	<p>Beware of high temperature</p> <p>Prolonged continued use would heat up the solenoid. This will not affect the quality of marking. However, do not touch the area around the stylus pin or the solenoid with bare hands after continued use. In particular, refrain from using the system around small children.</p> <p>*Continued use (non-stop run) at marking force 99 (maximum power) and speed 1 (slowest speed) combination sometimes causes the surface temperature to rise to approx. 120°</p>
	<p>Beware of loud noise</p> <p>Loud noise will occur when the marking force is set high or depending on material properties and the shape of the workpiece especially thin and hollow ones such as pipes. Therefore, always wear an ear plug when operating the system.</p>
	<p>Using near water and in a humid area is prohibited</p> <p>MarkinBOX series are IP20 classification</p> <p>To prevent fire, electric shock, and damage, do not use the system around water. Also, do not touch the system with wet hands.</p>
	<p>Beware of unwearing property gears</p> <p>For your safety, wear a protection glass when operating the tool and wear PPE for hearing protection when operating the tool.</p>

General Power Tool Safety Warnings

WARNING : Read all safety warnings and all instructions. Failure to follow the warnings and instructions may result in electric shock, fire and/or serious injury.

Save all warnings and instructions for future reference.

The term “power tool” in the warnings refer to your mains-operated (corded) power tool or battery-operated (cordless) power tool.

1) Work area safety

a) Keep work area clean and well lit.

Cluttered or dark areas invite accidents.

b) Do not operate power tools in explosive atmospheres, such as in the presence of flammable liquids, gasses or dust.

Power tools create sparks which may ignite the dust or fumes.

c) Keep children and bystanders away while operating a power tool.

Distractions can cause you to lose control.

Note : Not expected to use or produce under potentially explosive atmosphere, as well as toxic, corrosive, flammable and explosive substances. Not expected to use under ATEX.

2) Electrical safety

a) Power tool plugs must match the outlet. Never modify the plug in any way. Do not use any adapter plugs with earthed (grounded) power tools.

Unmodified plugs and matching outlets will reduce risk of electric shock.

b) Avoid body contact with earthed or grounded surfaces, such as pipes, radiators, ranges and refrigerators.

There is an increased risk of electric shock if your body is earthed or grounded.

c) Do not expose power tools to rain or wet conditions.

Water entering a power tool will increase the risk of electric shock.

d) Do not abuse the cord. Never use the cord for carrying, pulling or unplugging the power tool. Keep cord away from heat, oil, sharp edges or moving parts.

Damaged or entangled cords increase the risk of electric shock.

e) When operating a power tool outdoors, use an extension cord suitable for outdoor use.

Use of a cord suitable for outdoor use reduce the risk of electric shock.

f) If operating a power tool in a damp location is unavoidable, use a residual current device (RCD) protected supply.

Use of an RCD reduces the risk of electric shock.

Note : The term “residual current device (RCD)” may be replaced by the term “grounded fault circuit interrupter (GFCI)” or “earth leakage circuit breaker (ELCB)”.

3) Personal safety

a) Stay alert, watch what you are doing and use common sense when operating a power tool.

Do not use a power tool while you are tired or under the influence of drugs, alcohol or medication.

A moment of inattention while operating power tools may result in serious personal injury.

b) Use personal protective equipment. Always wear eye protection.

Protective equipment such as dust mask, non-skid safety shoes, hard hat, or hearing protection used for appropriate conditions will reduce personal injury.

c) Prevent unintentional starting. Ensure the switch is in the off-position before connecting to power source and / or battery pack, picking up or carrying the tool.

Carrying power tools with your finger on the switch or energizing power tools that have the switch on invites accidents.

d) Remove any adjusting key or wrench before turning the power tool on.

A wrench or key left attached to a rotating part of the power tool may result in personal injury.

e) Do not overreach. Keep proper footing and balance at all time.

This enables better control of the power tool in unexpected situations.

f) Dress properly. Do not wear loose clothing or jewellery. Keep your hair, clothing and gloves away from moving parts.

Loose clothes, jewellery or long hair can be caught in moving parts.

g) If devices are provided for the connections of dust extraction and collections facilities, ensure these are connected and properly used.

Use of dust collection can reduce dust-related hazards.

4) Power tool use and care

a) Do not force the power tool. Use the correct power tool for your application.

The correct power tool will do the job better and safer at the rate for which it was designed.

b) Do not use the power tool if the switch does not turn it on and off.

Any power tool that cannot be controlled with the switch is dangerous and must be repaired.

c) Disconnect the plug from the power source and/or the battery pack from the power tool before making any adjustments, changing accessories, or storing power tools.

Such preventive safety measures reduce the risk of starting the power tool accidentally.

d) Store idle power tools out of the reach of children and do not allow persons unfamiliar with the power tool or these instructions to operate the power tool.

Power tools are dangerous in the hands of untrained users.

e) Maintain power tools. Check for misalignment or binding of moving parts, breakage of parts and any other condition that may affect the power tool's operation. If damaged, have the power tool repaired before use.

Many accidents are caused by poorly maintained power tools.

f) Keep cutting tools sharp and clean.

Properly maintained cutting tools with sharp cutting edges are less likely to bind and are easier to control.

g) Use the power tool, accessories and tool bits etc. in accordance with these instructions, taking into account the working conditions and the work to be performed.

Use of the power tool for operations different from those intended could result in a hazardous situation.

5) Service

a) Have your power tool serviced by a qualified repair person using only identical replacement parts.

This will ensure that the safety of the power tool is maintained.

WARNING : Read all safety warnings and all instructions. Failure to follow the warnings and instructions may result in electric shock, fire and/or serious injury.

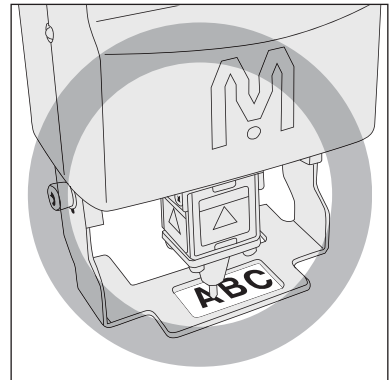
Save all warnings and instructions for future reference.



Contains precautions against actions that are prohibited at all time. Negligence could result in death or serious injury.

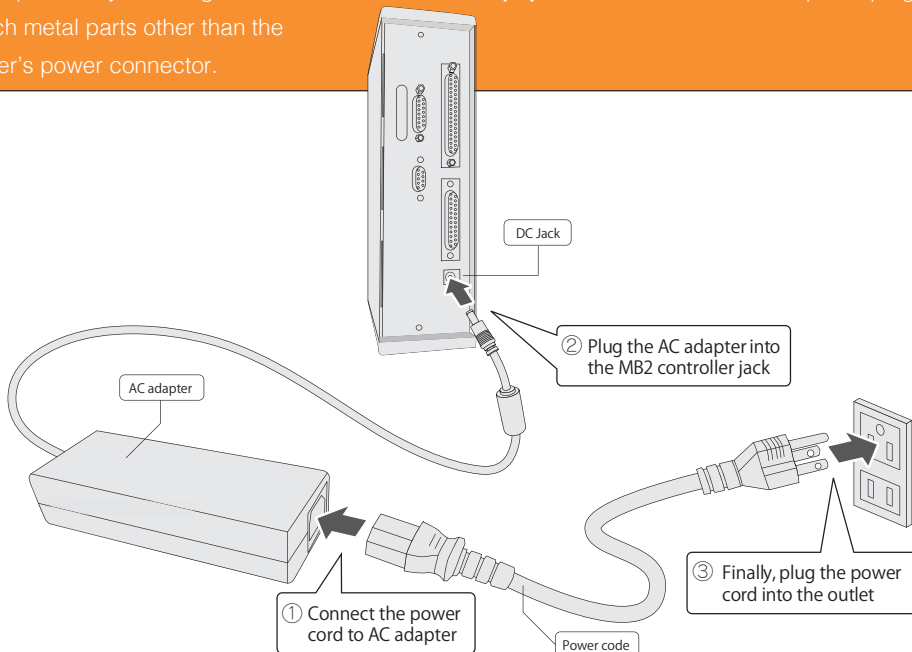
Using system for purposes other than marking is prohibited

The MarkinBOX series is a marking machine. Using the machine for purposes other than marking may result in unexpected accidents and injury, which will not be covered by the warranty.



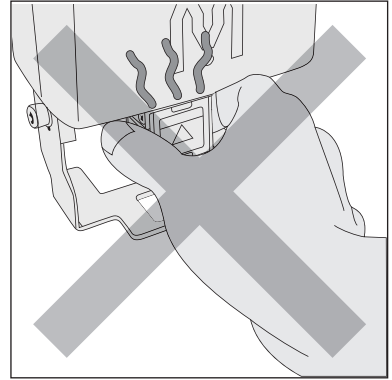
Handle power with care

When you connect the AC adapter to the controller, please follow the proper sequence by which it should be connected. Otherwise, static charge could be created in the DC output plug of the AC adapter, potentially resulting in electric shock or weak injury. Also, make sure the adapter's plug does not touch metal parts other than the controller's power connector.



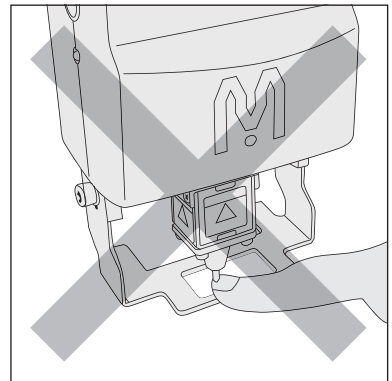
Beware of high temperature

Prolonged continued use would heat up the solenoid. This will not affect the quality of marking. However, do not touch the area around the stylus pin or the solenoid with bare hands after continued use. In particular, refrain from using the system around small children.



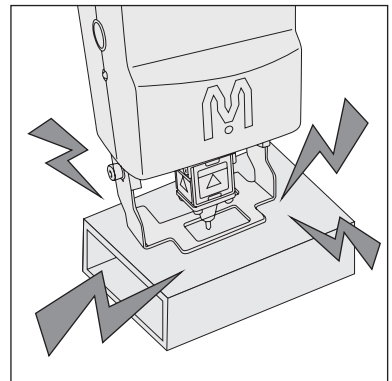
Take care not injury finger

The distance between the stylus pin and the workpiece is approximately between 0.1mm and 5mm. Be careful not to get your finger stuck between the pin and the workpiece. In particular, refrain from using the system around small children.



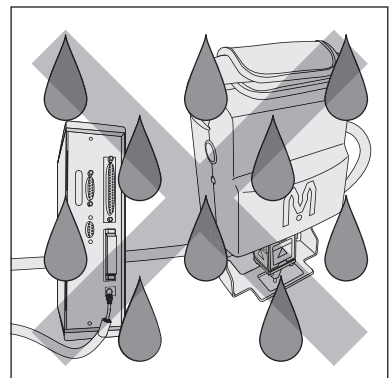
Beware of loud noise

Loud noise will occur when the marking force is set high or depending on material properties and the shape of the workpiece especially thin and hollow ones such as pipes. Therefore, always wear an ear plug when operating the system.



Using near water in a humid area is prohibited

To prevent fire, electric shock, and damage, do not use the system around water. Also, do not touch the system with wet hands. MarkinBOX series are IP20 classification

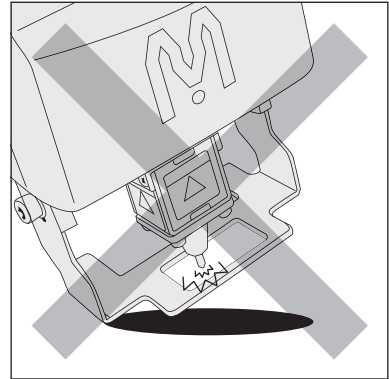




Contains precautions against actions that could result in injury and damage to the system if they are neglected.

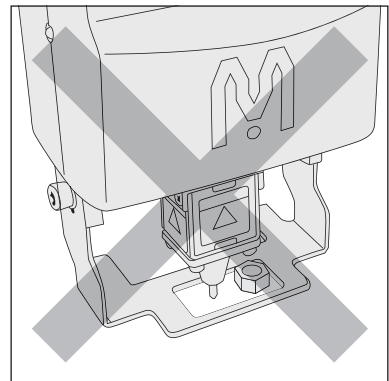
Check for workpiece before marking

Do not conduct marking without a workpiece. Always set the workpiece so that the stylus pin touches the workpiece, including during the test run. Negligence could result in damage to the stylus pin.



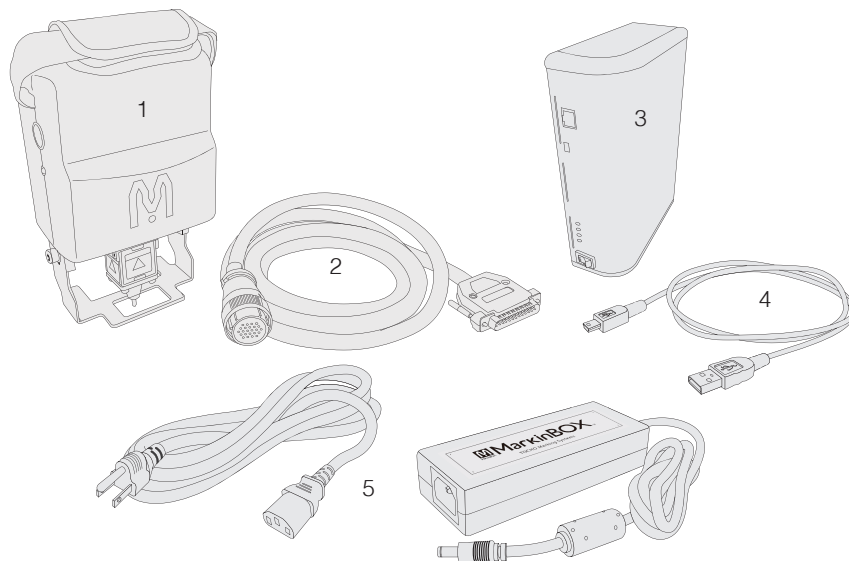
Beware of any obstructions

MarkinBOX will operate automatically upon applying power. Because the stylus pin will automatically reposition itself to the origin, do not put objects in the marking area that would obstruct the stylus pin from repositioning. Negligence could result in damage to the system.

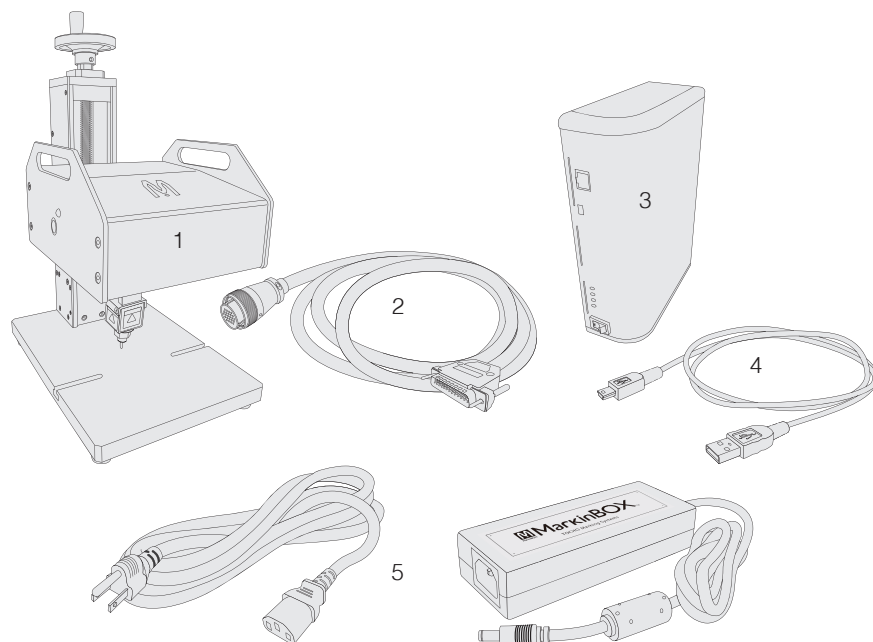


Contents in MarkinBOX

[Portable model]



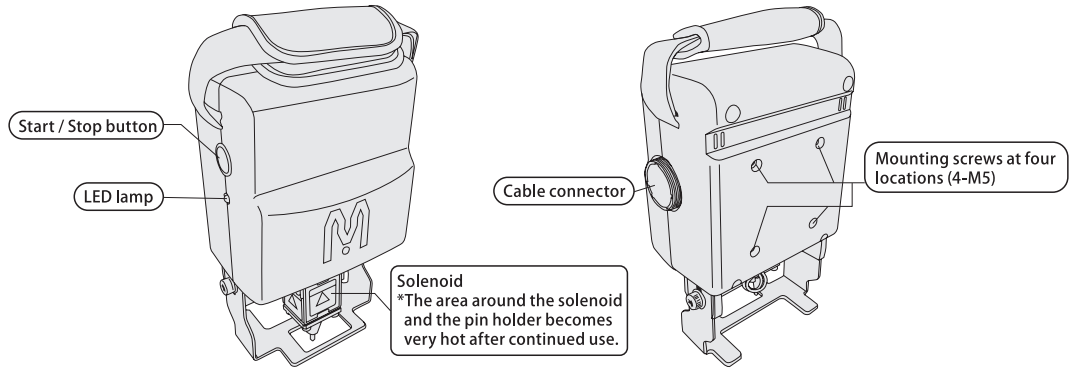
[Desktop model : proper use with tool post]



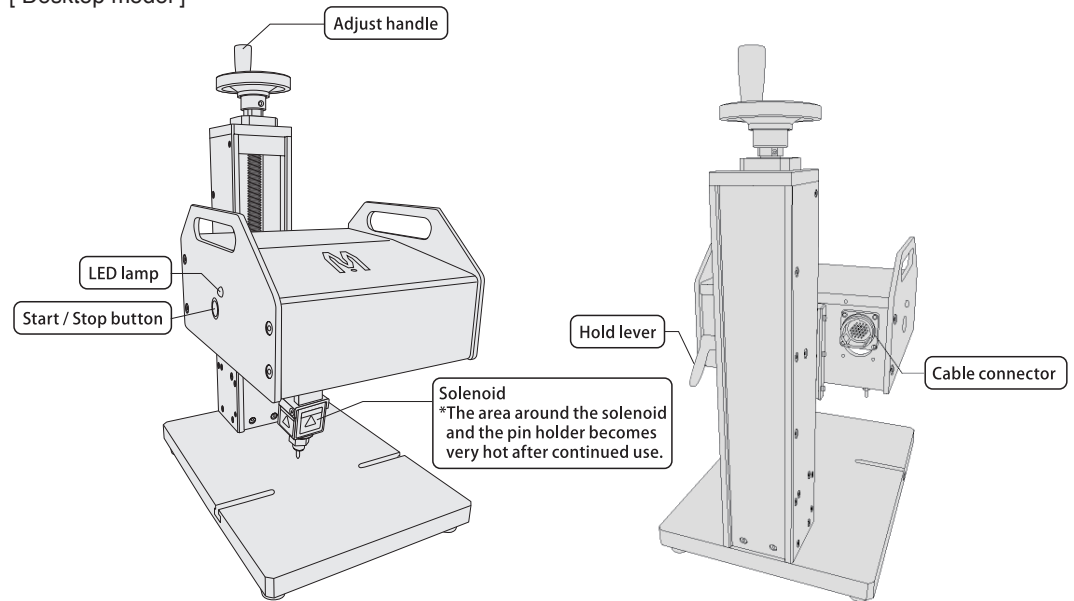
No.	Name	No.	Name
1	Marking Head	4	USB Cable
2	Head Cable	5	AC/DC Adapter
3	MB2S Controller		

Names of each part

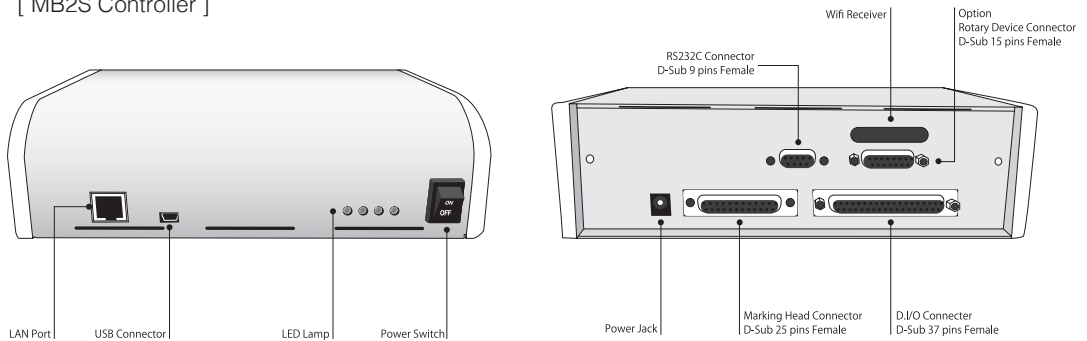
[Portable model]



[Desktop model]



[MB2S Controller]



Start button on marking head

Start	Push the start button once after sending marking data.
Pause	Push the start button once during marking.
Restart	Push the start button once during pause.
Cancel	Holding down the start button 3 seconds during pause, pin will be back to original position.

LED lamp

Marking head

Standing by	Green lit
Marking	Green blinking
Returning to the home	Red blinking

MB2S Controller

Power ON	Green and Blue lit
Returning to the home	Blue blinking (0.5sec.)
Marking	Blue blinking (0.25sec.)
X axis error	Red blinking (0.25sec.)
Y axis error	Orange blinking (0.25sec.)
Z axis error	Orange / Red blinking simultaneously
Other error	Orange / Red blinking alternately

Procedure up to installation

Required time approximately 10~15 minutes

1. Download the sketchbook2 software

2. Install into the computer

3. Connect the MB2S controller (installation of USB driver)

4. Start sketchbook2

***Do not connect the MB2S controller and computer until connection is displayed.**

1. Download the sketchbook2 software

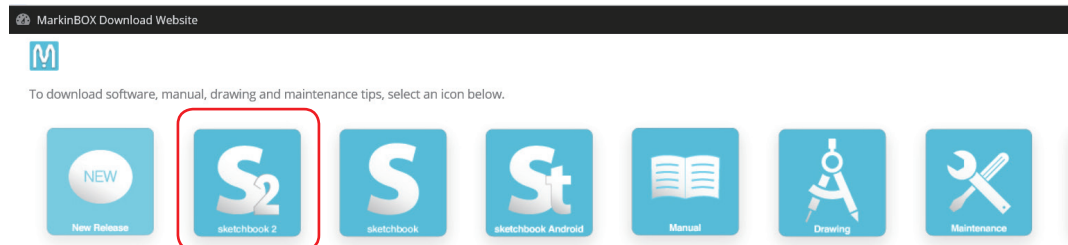
Access the following website and download the latest version software.

<http://download.tokyo-chokoku.co.jp/>

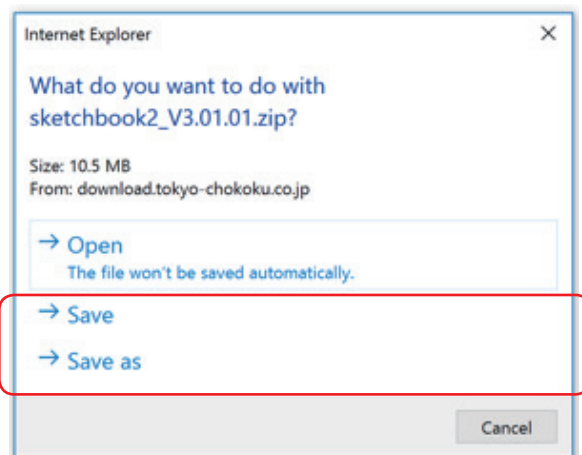
You can also access from [MarkinBOX DOWNLOAD SITE] in the toolbar of our company's website.

Newly register and login from the home screen. After logging in, click the following button to download

***sketchbook2 software is required even when using a smartphone app. After installing this software, refer to the file marking section in the "Operation Guide".**



From the following screen, select [Save (S)] or [Name and save (A)] and unzip the folder after the download has completed.



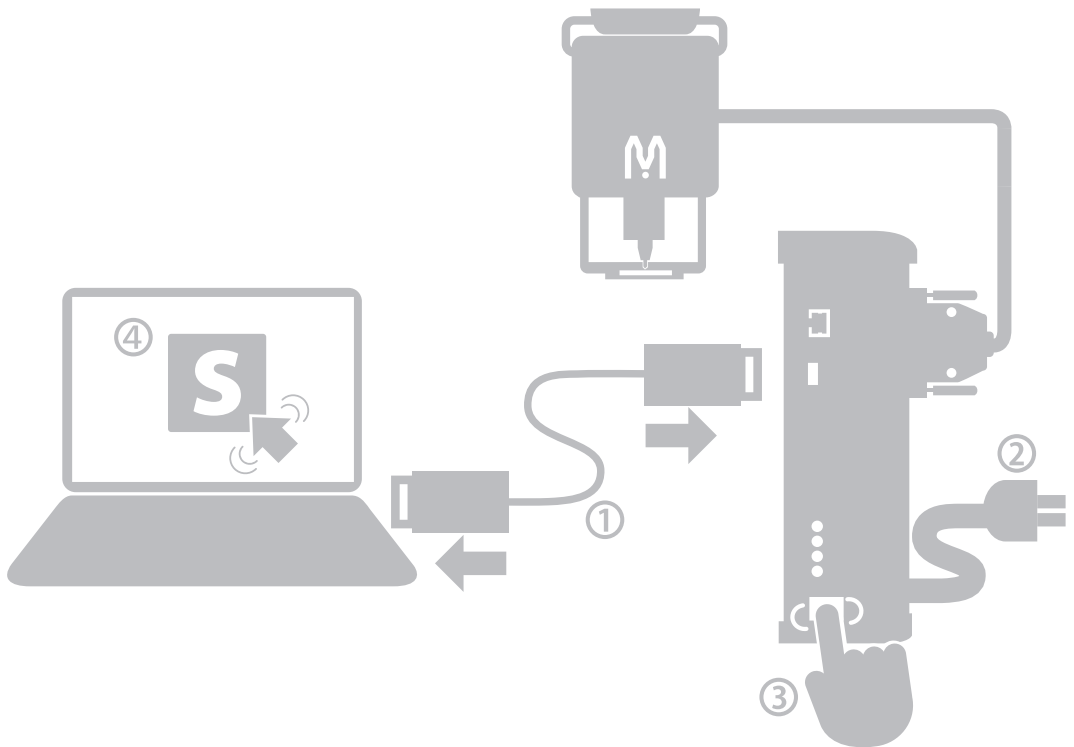
2. Install into the computer

Following unzipping, click the [Setup] application to start the installation. After the installation when the password input screen appears, close it by clicking the x button in the top right corner.

3. Connect the MarkinBOX (installation of USB driver)

After installing the sketchbook2 software, connect MarkinBOX to the computer by the following procedure using a USB cable. *After connecting the USB cable, the USB driver will automatically install.

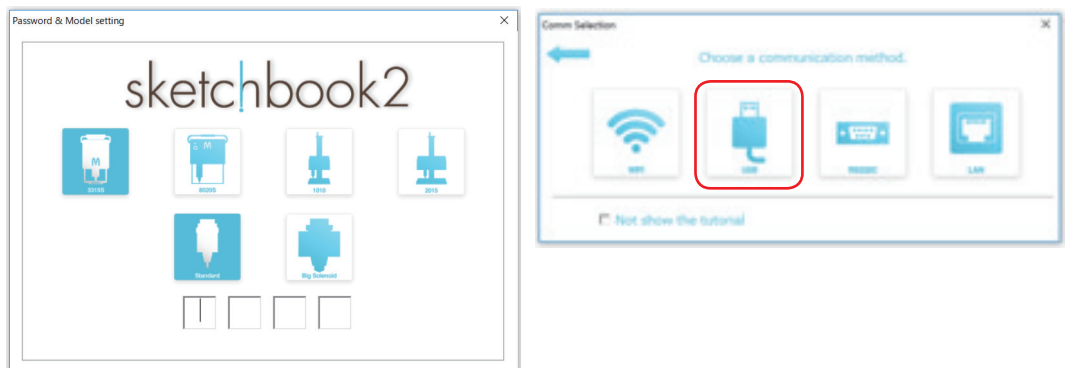
Do not start sketchbook2 until the installation is complete.



4. Start sketchbook 2

Double-click the sketchbook2 icon on the desktop to initiate the software. When the start screen appears, select the machine model and solenoid type and input the initial password [0000].

After logging in, if the communication method selection screen appears, click the following USB icon. Proceed according to the tutorial instructions. After connecting, if the alarm is displayed, turn the power off, confirm whether the marking head is connected, and turn the power back on.



If USB connection isn't possible

Sometimes a computer cannot automatically recognize a USB driver.

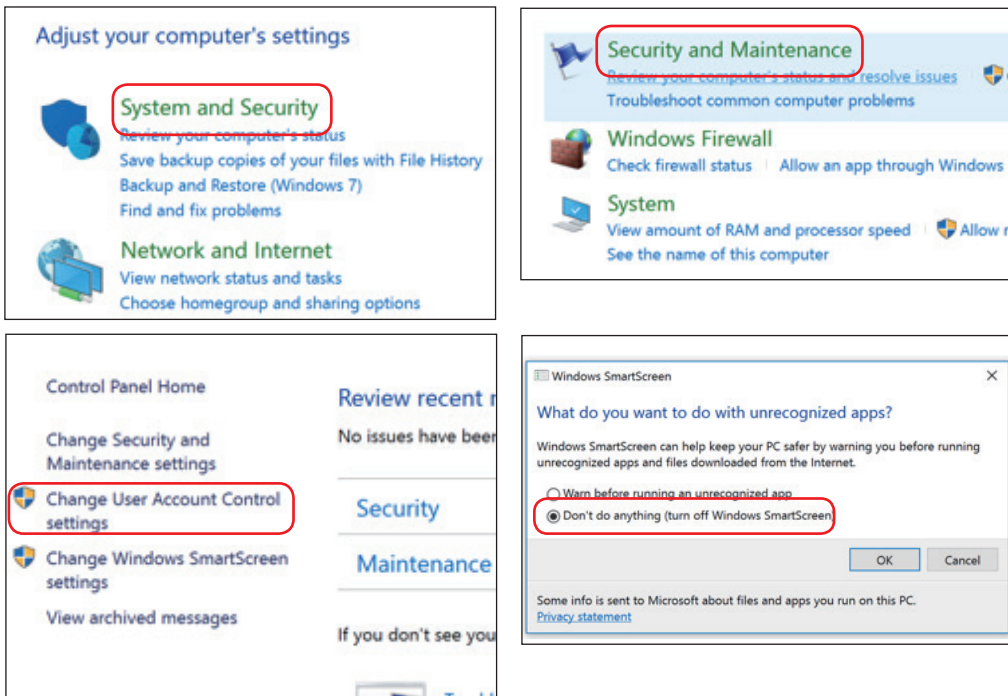
Please install the USB driver according to the tutorial.

1. Start sketchbook2 without connecting the MB2S controller (offline mode).
2. After the communication method selection screen appears, click the USB icon (confirm to uncheck the [Not show the tutorial] check box).
3. Commence an installation according to the tutorial display.
4. When the USB driver is installed, confirm that MarkinBOX is connected and start sketchbook2 again.

Some computers don't let you install unsigned drivers. Installation the USB driver, follow the steps below to execute **Disable Driver Signature Enforcement** mode. *The following screen is based on Windows 10.

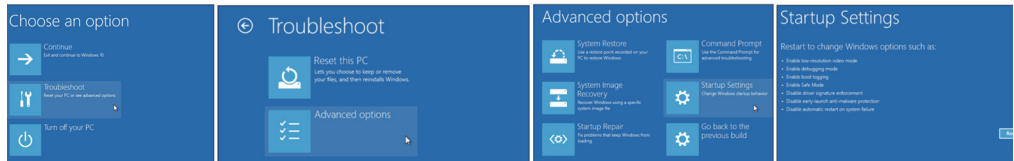
[Changing the Windows SmartScreen setting]

“Control panel” → “System & security” → “Security & maintenance” → “Change Windows SmartScreen settings” → “Don't do anything” and press OK to finish.

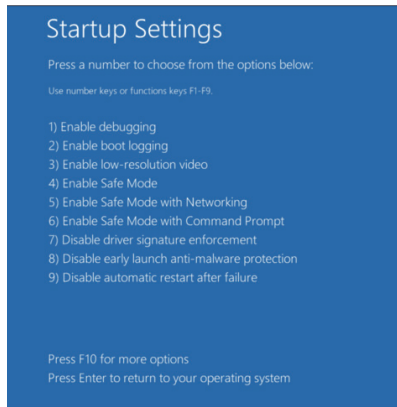


[Setting “Disable Driver Signature Enforcement”]

Restart while pressing down on the Shift key (alternatively, “Setting” → “Update & security” → “Recovery” → “Restart now”). When the “Choose an option” screen appears, click “Troubleshoot” → “Advanced options” → “Startup settings” → “Restart” to restart.



During restarting, the following “Startup Settings” menu comes up and select “7) Disable driver signature enforcement” by pushing keyboard 7.



*If the USB driver cannot be installed by the above method either, please install it manually. Log in offline (close the communication method screen by the top right x button) and refer to “Preferences” → “Communication” → “View Installation Manual USB Driver” in the USB section of the PDF manual.

If connecting by WIFI, RS232C or LAN

If communicating by a method other than USB, click each icon in the communication method and proceed according to the tutorial instructions.

*For LAN settings, it is first necessary to perform the computer TCP/IP settings. Refer to “Preferences” → “Communication” → “View TCP/IP v4 Settings” in the LAN section of the PDF manual.

How to check the software version

To check the version of the software and ROM firmware, go “Preferences” → “Information”.

Uninstalling the software

Follow the steps below to uninstall sketchbook2 from your computer.

1. Close sketchbook2.
2. Find "Computer" → "C drive" → "sketchbook2" folder and choose "Delete" by right clicking.
3. Uninstall is completed.

Maintenance and inspection



When conducting maintenance, inspection and parts replacement, switch off the MB2S controller and remove the plug from the power socket without fail.

1. Inspection of tightening screws

Check for any loose screws. Retighten if there is any looseness.

2. Care after use

Wipe away any oil and grease stains and keep in a good condition for use. Wipe main unit with a dry cloth. Do not use gasoline, thinner or petroleum for cleaning, otherwise the main unit could be damaged.

Concerning maintenance around pins and pin holders, refer to the "maintenance manual".

3. Storage after work

Store in a dry place away from high temperatures and high humidity. Do not store within reach of children or where there is a risk of falling.

Concerning overseas use of products purchased in Japan

We have prescribed the following regulations concerning cases where our products that have been purchased in Japan are used overseas. We would appreciate your understanding upon confirming these contents in advance.

1. Issue or failure occurring in a product purchased in Japan will be handled inside Japan.

Please send it to our support desk via the dealer of purchase. If this occurs within one year of purchase, we will handle the problem free of charge, however, please understand that you will be charged for transportation, customs or other incidental expenses, even if the warranty period is still in effect.

2. Following repair, we will send the product back to the place of purchase in Japan. Please understand that we do not make overseas deliveries.

3. If you wish to receive repair or other support from an overseas local agent due to circumstances, please understand that this will be charged, even if it is within the warranty period.

4. If you are using the product in a country that does not have a local agent of our company, problems can only be handled inside Japan. Please send it to our support desk via the dealer of purchase. If this occurs within one year of purchase, we will handle the problem free of charge, however, please understand that you will be charged for transportation, customs or other incidental expenses, even if the warranty period is still in effect.

5. Overseas local agents are sometimes subject to revision without prior notice. Please either confirm on our company's website or inquire at our sales department in advance.

Appendix 1 : Distance between the stylus pin and the workpiece

The distance between the stylus pin and the workpiece will vary according to the material properties of the workpiece and the marking force. Always do a trial marking run and use the proper settings (marking force and distance).

Standard Solenoid		Distance pin and workparts (mm)							
		~	0.5	1.0	2.0	3.0	4.0	5.0	6.0
Force	~9	○	△	△	×	×	×	×	×
	10~19	△	○	○	○	△	△	×	×
	20~29	△	○	○	◎	◎	○	△	△
	30~39	△	○	○	◎	◎	◎	◎	○
	40~49	△	○	○	◎	◎	◎	◎	○
	50~59	△	○	○	◎	◎	◎	◎	○
	60~69	△	○	○	◎	◎	◎	◎	○
	70~79	△	○	○	◎	◎	◎	◎	○
	80~89	△	○	○	◎	◎	◎	◎	○
	90~99	△	○	○	◎	◎	◎	◎	○

BSD		Distance pin and workparts (mm)							
		3.0	4.0	5.0	6.0	7.0	8.0	9.0	10
Force	~9	○	○	◎	◎	◎	◎	○	○
	10~19	○	○	◎	◎	◎	◎	○	○
	20~29	○	○	◎	◎	◎	◎	○	○
	30~39	○	○	◎	◎	◎	◎	○	○
	40~49	○	○	◎	◎	◎	◎	○	○
	50~59	○	○	◎	◎	◎	◎	○	○
	60~69	○	○	◎	◎	◎	◎	○	○
	70~79	○	○	◎	◎	◎	◎	○	○
	80~89	○	○	◎	◎	◎	◎	○	○
	90~99	○	○	◎	◎	◎	◎	○	○

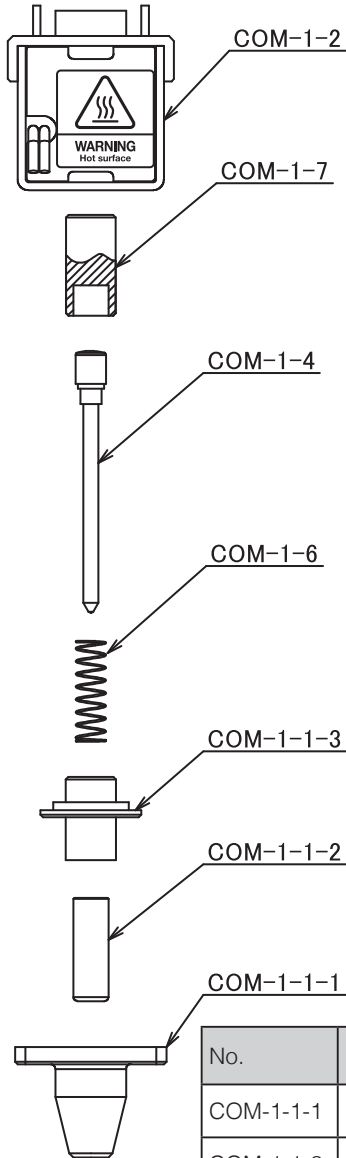
*The above is set speed 30.

◎ :recommended, ○ :acceptable, △ :acceptable but not recommend, x: can not mark

Appendix 2 : Spare parts list

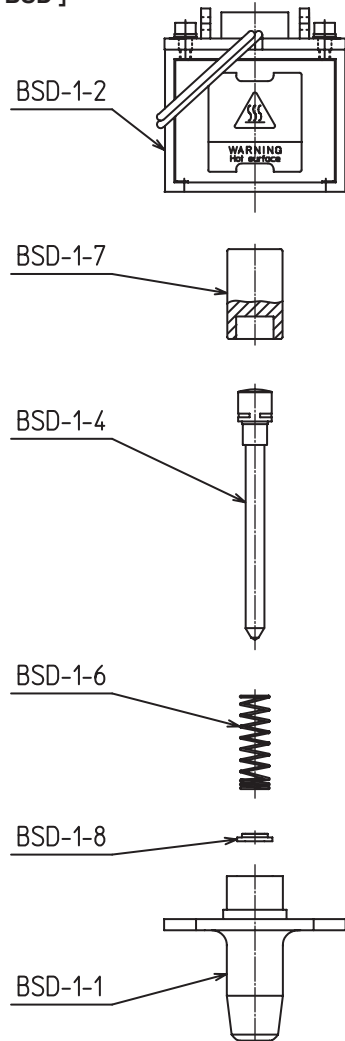
Please change the following consumption parts when you got some quality problems.

[Standard solenoid]



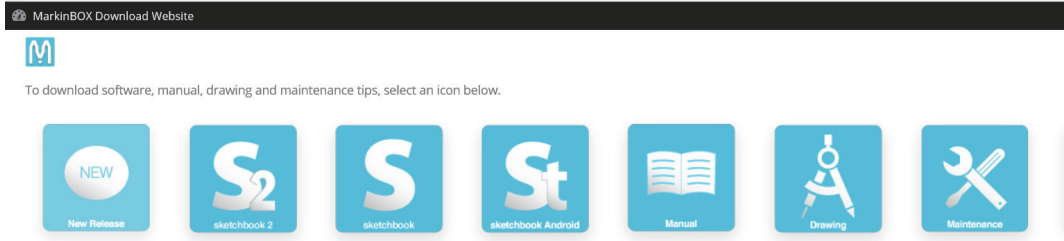
No.	Name
COM-1-1-1	Pin Holder
COM-1-1-2	Socket Bush
COM-1-1-3	Pin Guide
COM-1-2	Solenoid Assy
COM-1-4	Stylus Pin
COM-1-6	Spring
COM-1-7	Hammer





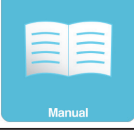
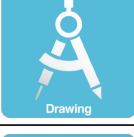

[BSD]



No.	Name
BSD-1-1	BSD Pin Holder
BSD-1-2	BSD Solenoid Assy
BSD-1-4	BSD Stylus Pin
BSD-1-6	BSD Spring
BSD-1-7	BSD Hammer
BSD-1-8	BSD Washer

Appendix 3 : Description of the icons in the download site



Icon	Description
	Downloadable the latest software.
	Downloadable sketchbook2 software for windows which is designed for the MB2S controller covered with stainless steel. Including ROM firmware.
	Downloadable sketchbook software for windows which is designed for the MB2 controller covered with white steel.
	Downloadable sketchbook touch app for android. There are 2 types app for MB2S and MB2 controller.
	Downloadable all manuals.
	Downloadable all drawings including PDF, DXF and 3D.
	Downloadable maintenance manuals.

Warranty

1. If the unit fails while in normal use according to the manual or service manual, etc., free repairs will be provided during warranty period. Please request repair at your store of purchase or our support desk.

2. Repairs will be charged in the following cases, even if they occur during the warranty period:

- Failure and damage arising from wrong usage, remodeling or improper repair
- Dropping after purchase or failure and damage arising during transportation
- Failure and damage arising from fire, earthquake, flooding, lightning strike, other natural disasters, abnormal voltage and so on
- Replacement of consumption parts (See appendix 2 Spare Parts List)

Model		S/N Marking Head	
Ship date		S/N Controller	
Warranty Period	1year		

Inquire about items inquiry

Please contact our distributor if you have inquiry for operation and malfunction.

Manufacturer information:

Company : Tokyo Chokoku Marking Products Co.,Ltd.

Address : 3-23-12 Kamezawa, Sumidaku, Tokyo, Japan 130-0014

Tel : +81-3-5611-7771 Fax : +81-3-3625-6550

URL : <http://www.tokyo-chokoku.co.jp>