

 Patmark®

 Patmark

a new generation of marking tool



simply mobile

Feel the Digital Punch, our most innovative hand punch marker. Fully portable to support your work in the field.



Patmark-mini

Patmark-mini is truly the "Digital Punch".
It is the most innovated marking tool delivering
you a safe hammer-free experience.

Are you still using
a hammer?



Marking area
15mm (0.6") x 15mm (0.6")



Identification mark on aluminum cast.



Metal Legs Guide. (option)



Marking on hardened material HRC62.



Marks in any orientation.



Marking QR code and Data Matrix using by PM Win Software.

Patmark®

As an ideal industrial marker, Patmark lets you expand your making area capabilities.

A longer window, 33mm (1.3"), gives you an efficient and cost-effective marking solution.



Deep mark on structural steel.



Mark 2D code on pipe.



Strong Magnetic Guide. (option)



Logo mark on curved surface.



Bright LED guides marking location.

Marking area
33mm (1.3") x 15mm (0.6")



Your working fields matter.

Patmark[®]-plus

In response to customer requests, a larger marking area has been added to the Patmark family. Marking window of 80mm x 20mm (3.1" x 0.8") expands your capabilities.



Marking area
80mm (3.1") x 20mm (0.8")

Portability you want, Capability you need.



Strong magnet guide. (option)



All mark you want in one pass.



Clear mark on a wooden crate.



Plastic case marked with acute pin.

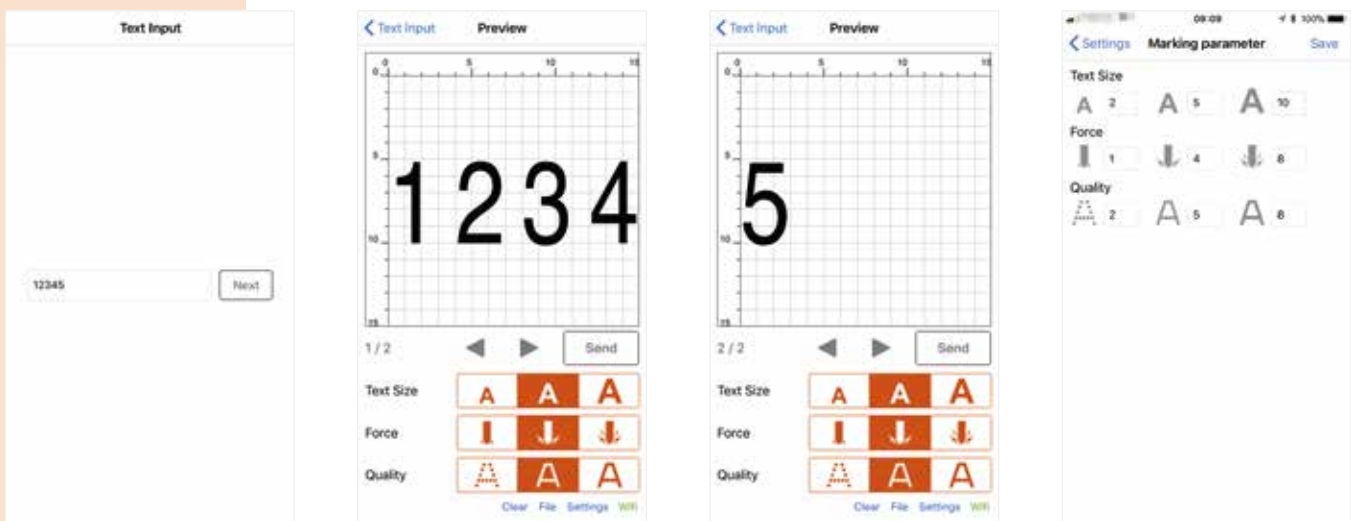


Mark on the concave bottom.

Free App

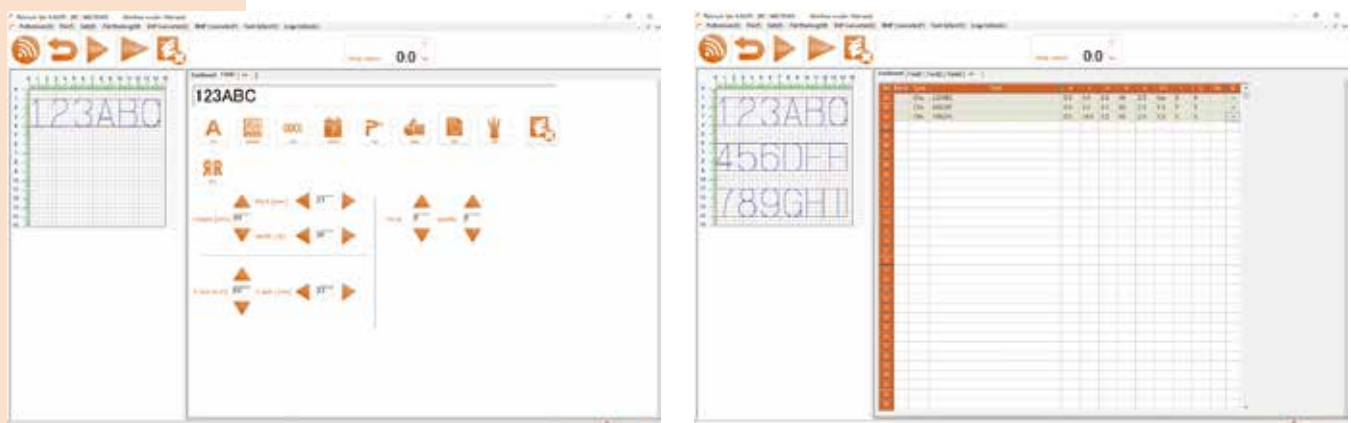


Battery, WiFi and Smartphone...guarantee absolute mobile marking.
Simple starting steps. Just download the Patmark app from the App Store or Play Store. Select the Patmark's SSID on the WiFi using the serial number on the Patmark unit. Open the Patmark app, then mark information.



PM Win Software

Here's a great solution. PM Win Software provides you more features such as multiple line marking, logo marking, QR and DM code, serialized number, and auto calendar. In addition, using PM Win Software expands Patmark's capability with storing up to 255 files which are readable in your handheld device.



Note : Specifications can be changed without prior notice for quality improvement.

Accessories

Varied options expand Patmark's capabilities.



USB connector for PM Win Software.



AC Adapter Jack for direct power.



Hands-Free Fixture. (option)



Circumference mark on the round parts with S-Rotary. (option)

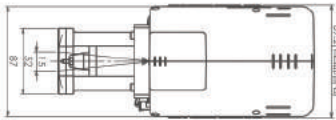


Tool Post and Hanger. (option)

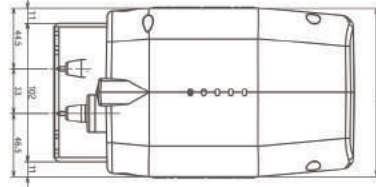
Specifications

External Dimensions (mm) / Battery type

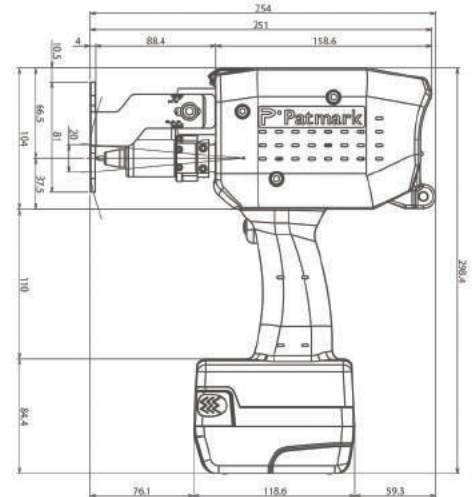
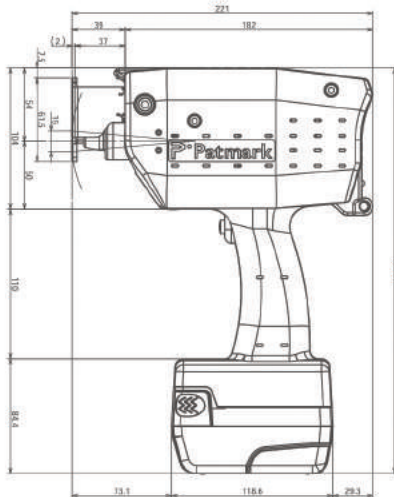
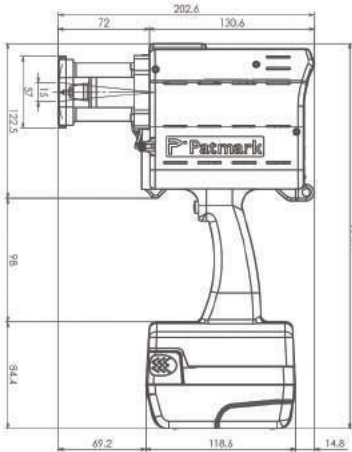
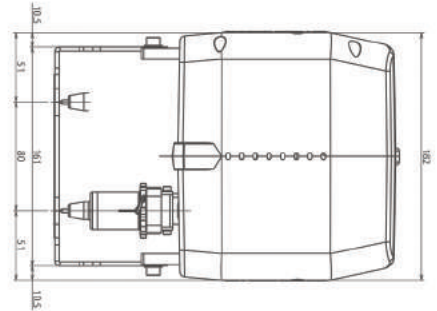
Patmark-mini



Patmark



Patmark-plus



| Patmark unit information | | Patmark-mini | Patmark | Patmark-plus | App and PM Win Software information | | Patmark series |
|--------------------------|-------------------------------|--|---------------------|---------------------|-------------------------------------|-----------------|---|
| Marking area - mm (inch) | | 15(0.6") x 15(0.6") | 33(1.3") x 15(0.6") | 80(3.1") x 20(0.8") | Text height | App | 0.5 - 15mm (20mm) *0.5mm pitch |
| Power | AC adapter | Input : AC100V-240V, 50/60Hz | | | PM Win Software | | 0.1 - 15mm (20mm) *0.1mm pitch |
| | Battery | DC25.2V 2.0Ah | | | Fonts | | Alphanumeric, Symbols |
| Weight | Battery charge | Input AC100V - 240V 50/60Hz | | | 2D code | PM Win Software | Data Matrix, QR code (upto 80 bytes) |
| | AC adapter | 1.4 kg (3lbs) | 2.3kg (4.9lbs) | 3.0kg (6.6lbs) | Logo | PM Win Software | Browse and trace JPEG, BMP on Logo Editor |
| Vibration measurement | Battery *attached 25.2V | 2.0 kg (4.2lbs) | 2.9kg (6.4lbs) | 3.5kg (7.8lbs) | | | Aumatic DXF converter |
| | Less than 2.5m/s ² | | | | Multiple lines | App | Single line only |
| Software | iOS, Android app | WiFi connectivity | | | PM Win Software | | Available multiple lines within marking area |
| | PM Win software | USB,Wifi connectivity | | | Serial number | PM Win Software | I - 9999 |
| Workparts material | | Metal (up to 62RC),Plastic, Paper, Wood products | | | Auto date | PM Win Software | Year, Month, Day, Hour, Minute, Second, Julian date |



MB Metal Technologies, LLC
 403 S Hawley Rd
 Milwaukee, WI 53214
 P# 855-897-1439
www.markinbox.com
www.mbmataltech.com

